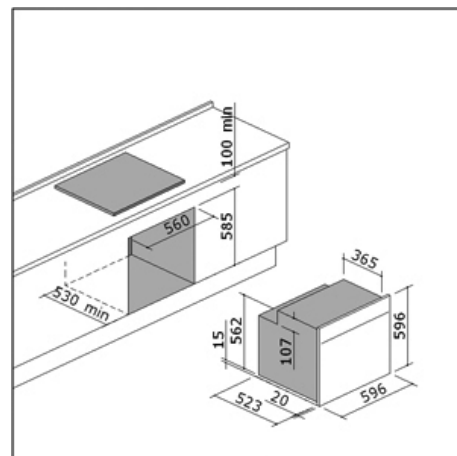


REFLEX OVEN

BUILT-IN MULTIFUNCTION 60 cm OVEN



7 functions: static oven, warming oven, browning oven, grill, fan assisted oven, fanned grill, defrost function
 60 min mechanical timer with buzzer
 Tempered frontal glass
 Stainless steel shelf
 Enamelled steel tray
 Oven light
 Extractable and removable door with heat reflecting internal glass
 Max. absorbed power: 2.3 kW
 Max. temperature centre oven: 250 °C
 tangential cooling fan
 Capacity: 50 lt
 Energy rating: A

| | |
|---------------|---------------|
| WHITE | 1FRXMB |
| BLACK | 1FRXMN |
| MIRROR | 1FRXMS |

OPTIONALS

| | |
|--|--------------|
| Self-cleaning internal lining | 1FA60 |
| Set third heat reflecting glass panel | 1PF60 |